



**TET ESTEL AS**  
ESTONIA

**July**  
**2013**

**Series**  
**DAS 343-400**

**Press-Pack Symmetrical**  
**Surge Voltage Suppressor**  
**Type DAS 343-400**

For protection of diodes and thyristors  
from overvoltage.

Surge power dissipation				<b>P<sub>RSM</sub></b>	<b>400 kW</b>
Symmetrical avalanche voltage				<b>U<sub>BR</sub></b>	<b>2000 ÷ 2600 V</b>
U <sub>BR</sub> , V	2000 ÷ 2140	2200 ÷ 2350	2400 ÷ 2550	2600 ÷ 2750	
Voltage code	20	22	24	26	
T <sub>vj</sub> , °C	- 60 ÷ 140				

**MAXIMUM ALLOWABLE RATINGS**

Symbols and parameters		Units	DAS343-400	Conditions
P <sub>RSM</sub>	Surge power dissipation tp = 10 μs tp = 100μs	kW	400 100	T <sub>vj</sub> =25°C
U <sub>BR</sub>	Symmetrical avalanche voltage	V	2000 ÷ 2600	T <sub>vj</sub> =25°C ; I=25mA
T <sub>stg</sub>	Storage temperature	°C	-60 ÷ 125	
T <sub>vj</sub>	Junction temperature	°C	-60 ÷ 140	

**CHARACTERISTICS**

Symbols and parameters		Units	DAS343-400	Conditions
I <sub>RRM</sub>	Repetitive peak reverse current	mA	4,0	T <sub>vj</sub> =25°C U <sub>D</sub> = U <sub>R</sub> = 0,8 U <sub>BR</sub>

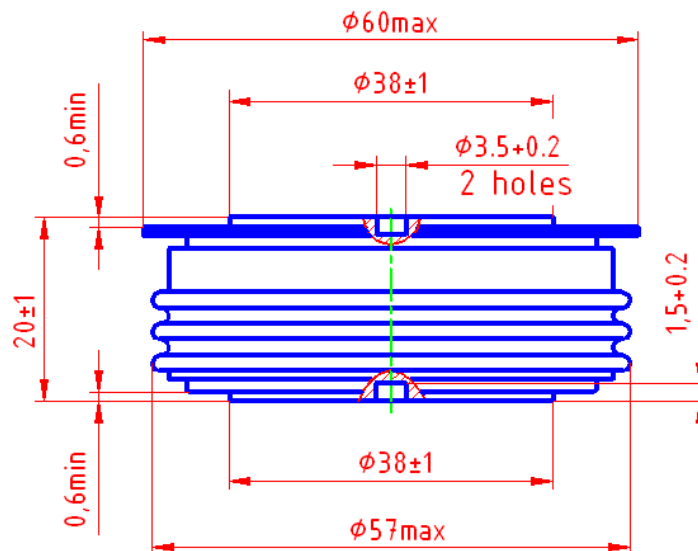
## CHARACTERISTICS

Symbols and parameters		Units	DAS343-400	Conditions
	Temperature coefficient of the avalanche voltage	% / °C	0,15	
r <sub>T</sub>	Slope resistance	Ω	1,7	T <sub>vj</sub> =25°C I <sub>R</sub> =10÷150A
	Asymmetrical avalanche voltage	%	7	T <sub>vj</sub> =25°C
R <sub>thjc</sub>	Thermal resistance junction to case	°C/W	0,05	

## ORDERING

	DAS	343	400	26	
	1	2	3	4	

1. Symmetrical surge voltage suppressor
2. Design version
3. Surge power dissipation, kW
4. Voltage class (26 = 2600 ÷ 2750 V)



Mounting force : 8 ÷ 10 kN

Weight : 260 grams